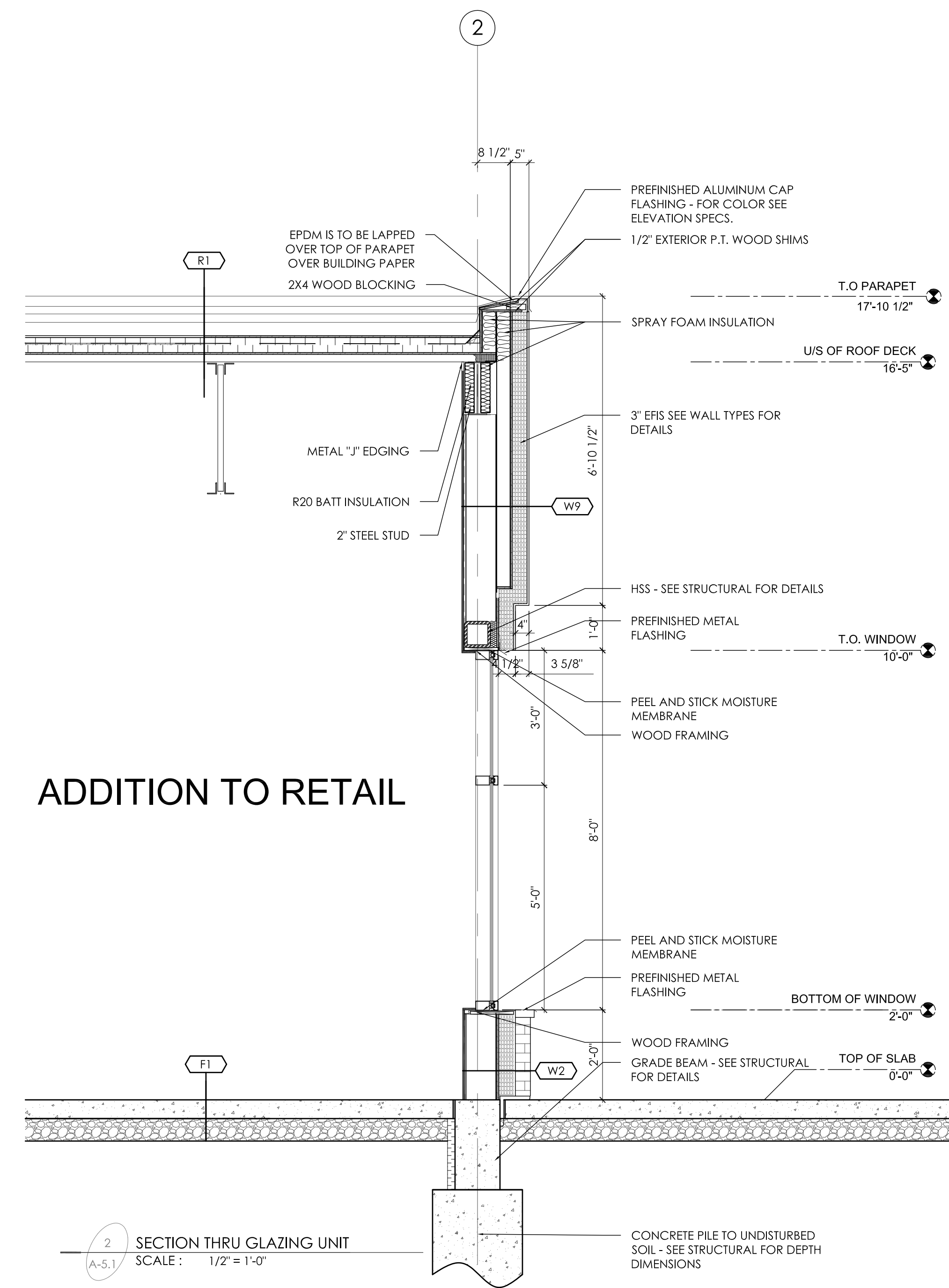
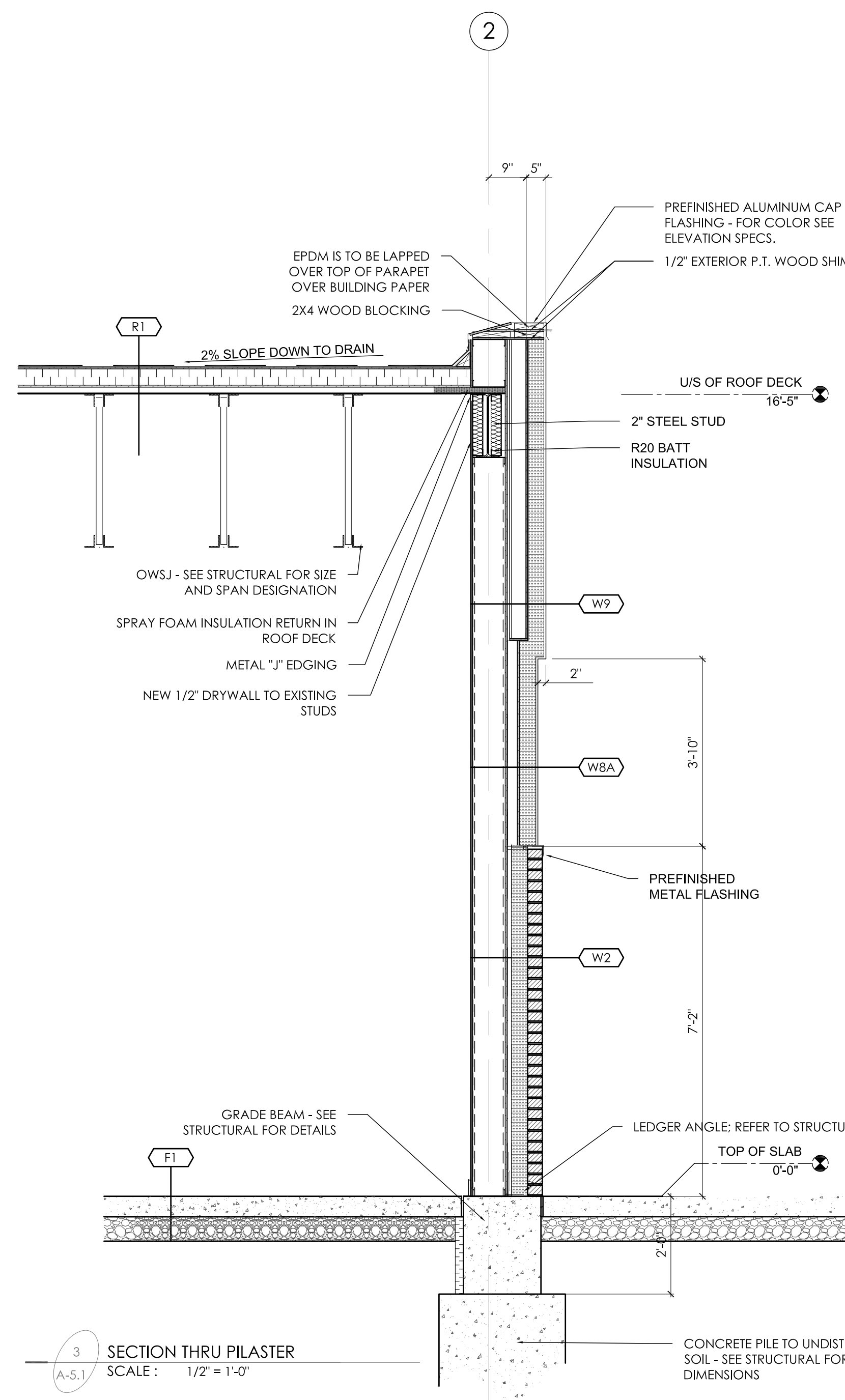


1 SECTION THRU STOREFRONT PILASTER
SCALE: 1/2" = 1'-0"

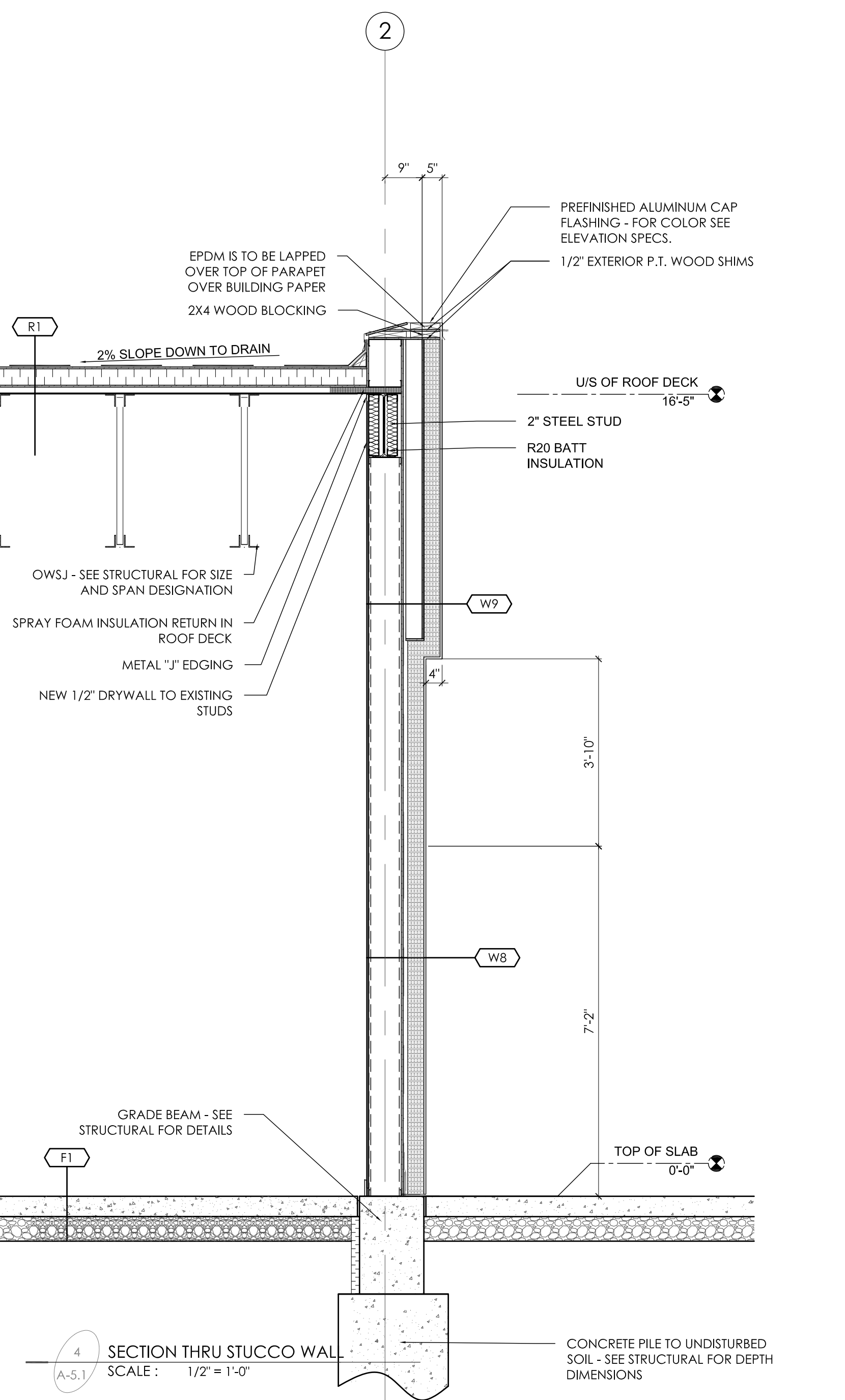


ADDITION TO RETAIL

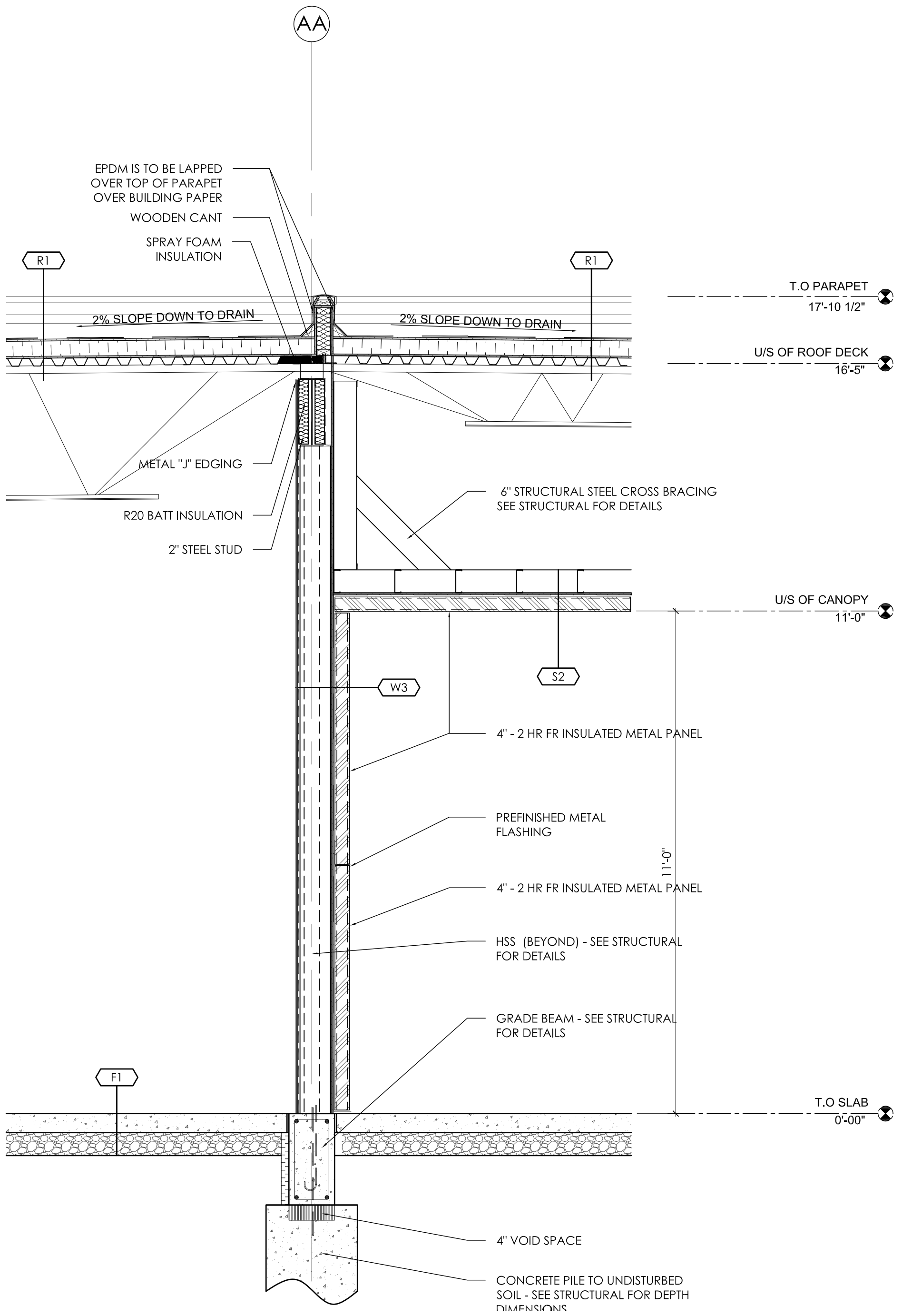
2 SECTION THRU GLAZING UNIT
SCALE: 1/2" = 1'-0"



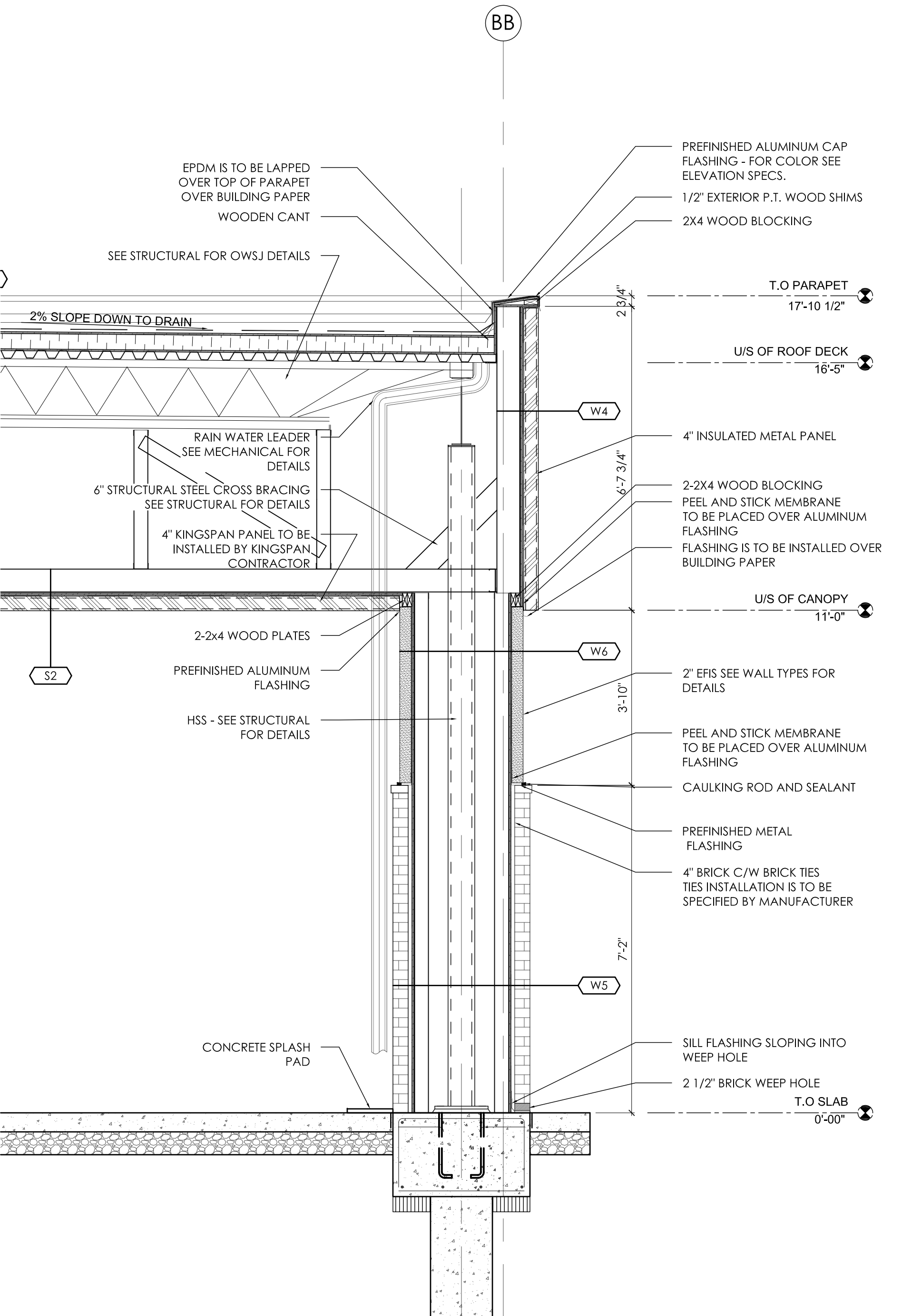
3 SECTION THRU PILASTER
SCALE: 1/2" = 1'-0"



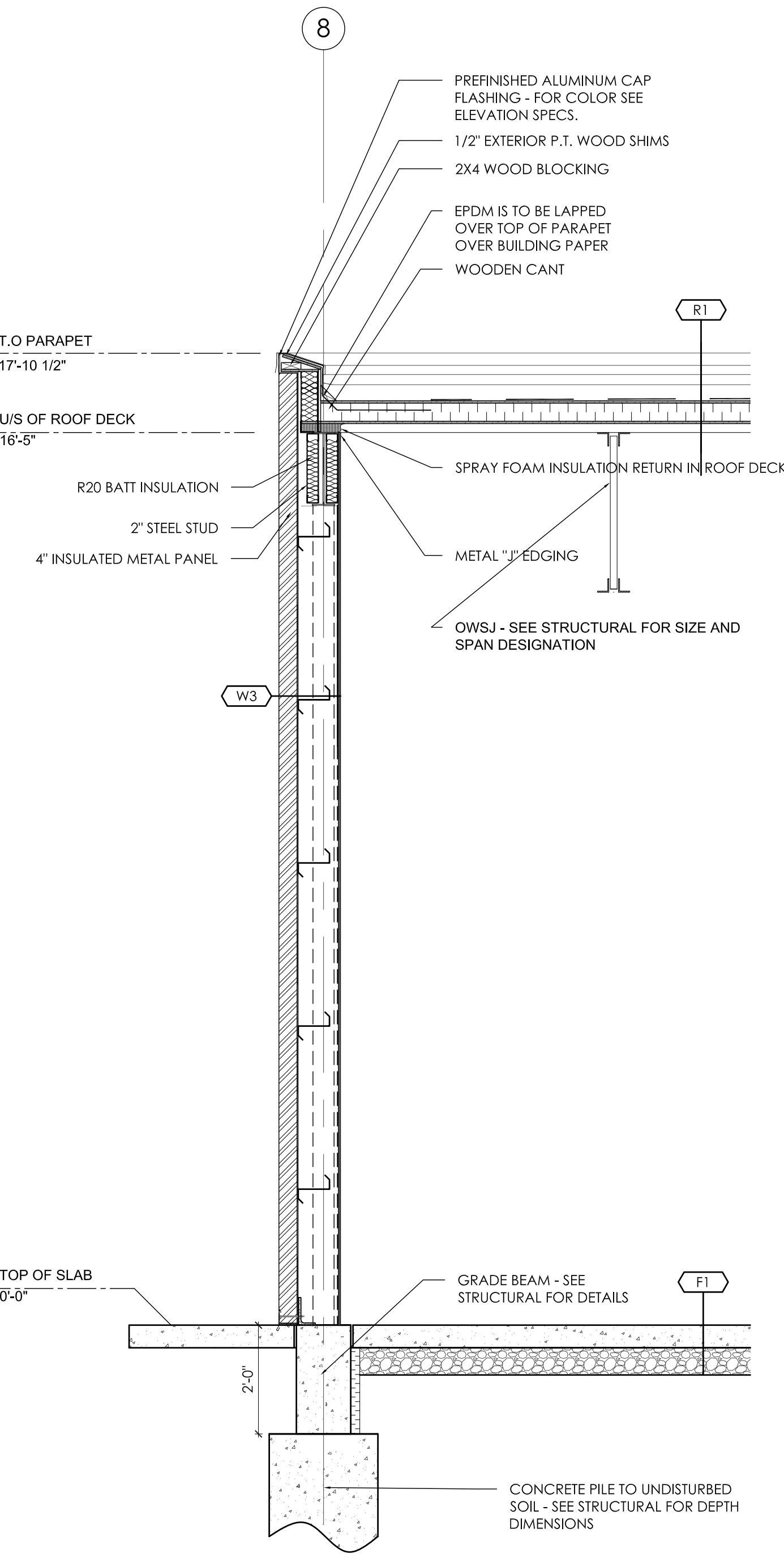
4 SECTION THRU STUCCO WALL
SCALE: 1/2" = 1'-0"



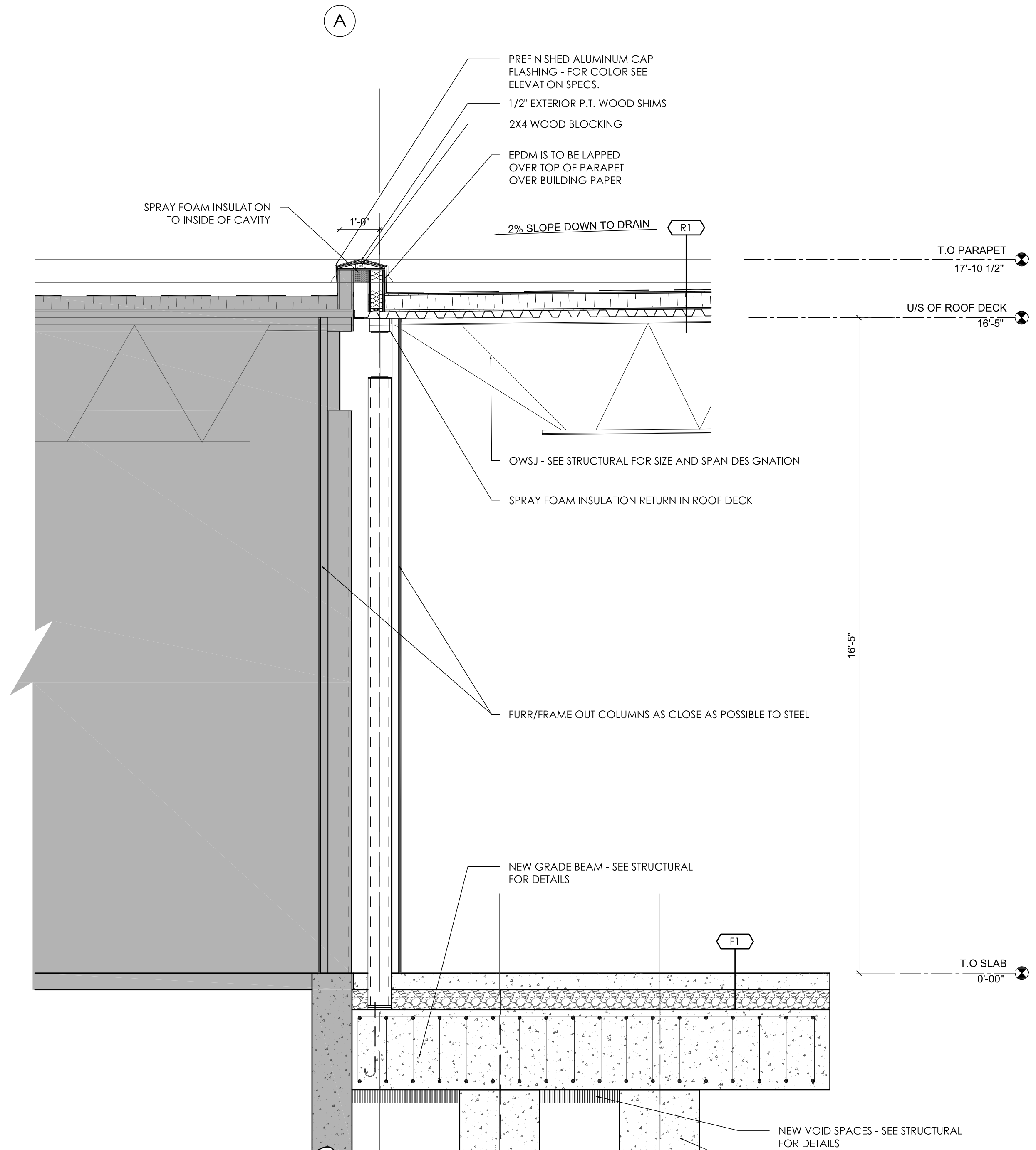
5 SECTION EXTERIOR WALL @ CANOPY
SCALE: 1/2" = 1'-0"



6 SECTION THRU CANOPY COLUMN
SCALE: 1/2" = 1'-0"



7 SECTION THRU INSULATED METAL WALL PANEL
SCALE: 1/2" = 1'-0"



8 SECTION THRU
SCALE: 1/2" = 1'-0"

SEAL

CONSULTANT

SEAL

CONSULTANT

SEAL

NOTES

3	11-07-15	PRICING	ck	ck
2	11-07-06	BUILDING PERMIT	ck	ck
1	11-03-03	DEVELOPMENT PERMIT	ck	ck
NO.	17-00-00	REVISION / DRAWING ISSUE	DRAWN	REVIEW

CONSTRUCTION MANAGER



THIS DRAWING, AS AN INSTRUMENT OF SERVICE IS THE PROPERTY OF KEDDE ARCHITECTURE INC. THE COPYRIGHT IN THE SAME REMAINS RESERVED TO THEM. NO REPRODUCTION IS ALLOWED WITHOUT THE PERMISSION OF KEDDE ARCHITECTURE INC. AND WHEN MADE MUST BEAR ITS NAME. THIS DRAWING IS NOT TO BE SCALED. THE CONTRACTOR IS TO VERIFY DIMENSIONS AND DATA NOTED HEREIN WITH THE CONDITIONS ON SITE AND IS RESPONSIBLE FOR REPORTING ANY DISCREPANCY TO KEDDE ARCHITECTURE INC. FOR ADJUSTMENT.

PROJECT
2085 SOUTH EDMONTON ADDITION
10127 + 10133 - 34th AVENUE NW
EDMONTON, AB

DRAWING TITLE
WALL SECTIONS

DRAWING ISSUED
BUILDING PERMIT

PROJECT NO. 1102
PLOT DATE 2011-07-26
SCALE AS NOTED

DRAWING NO. A-5.1
REVISION